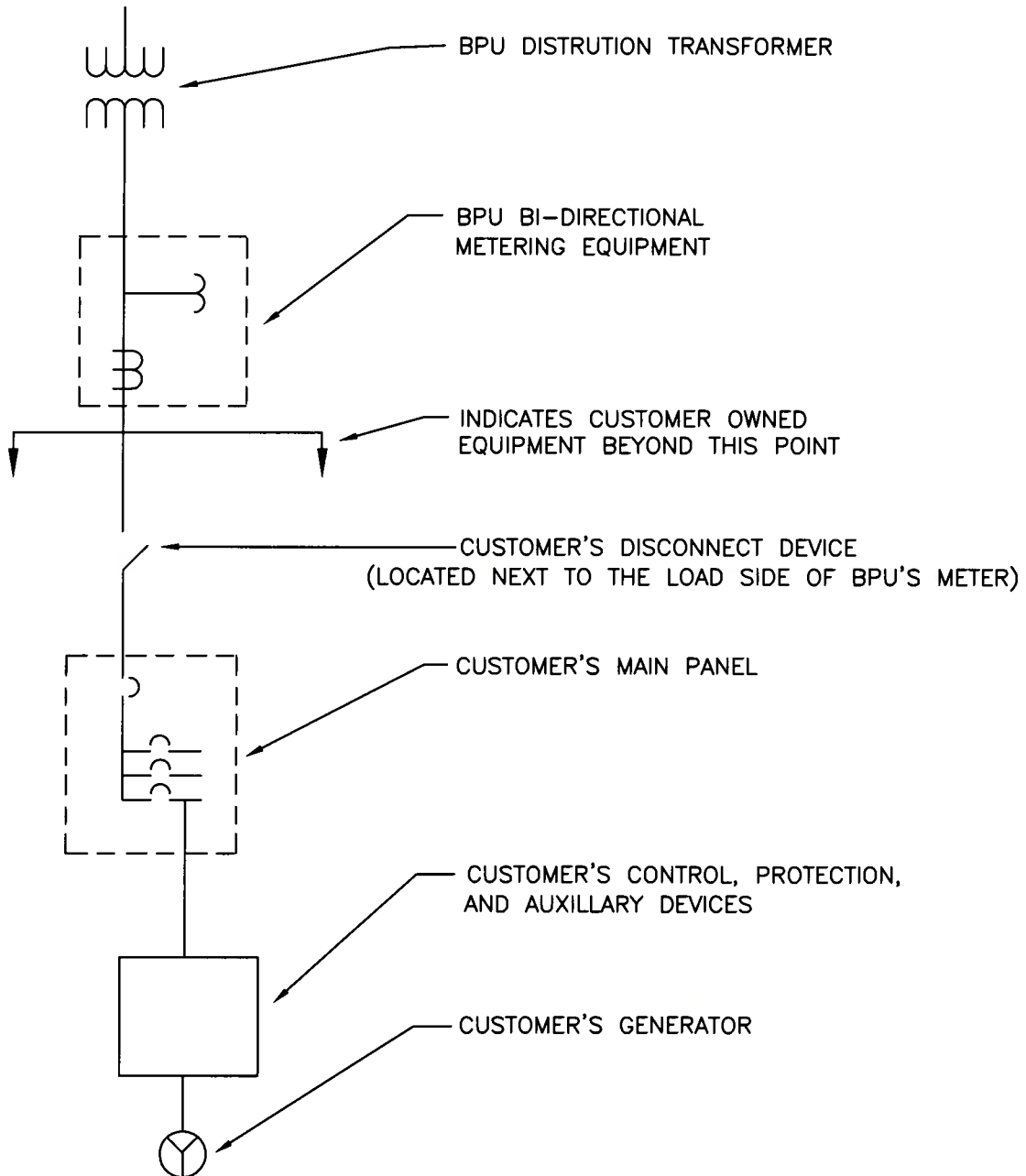


FIGURE 1

SIMPLE SCHEMATIC DIAGRAM FOR PARALLEL OPERATION OF A CUSTOMER'S GENERATOR 10 KVA OR LESS WITH THE BOARD OF PUBLIC UTILITIES (BPU)



	GENERAL INFORMATION FOR CUSTOMER-OWNED GENERATION, LESS THAN 10 KVA - SCHEMATIC DIAGRAM
0	01/13/2012 CUSTOMER OWNED GENERATION



BOARD OF PUBLIC UTILITIES
CITY OF McPHERSON
McPHERSON, KANSAS

DWG.NO.
FIGURE #1